

CONTRACTOR:	
PROJECT:	DATE:
PREPARED BY:	SERIES: SWFF037EG

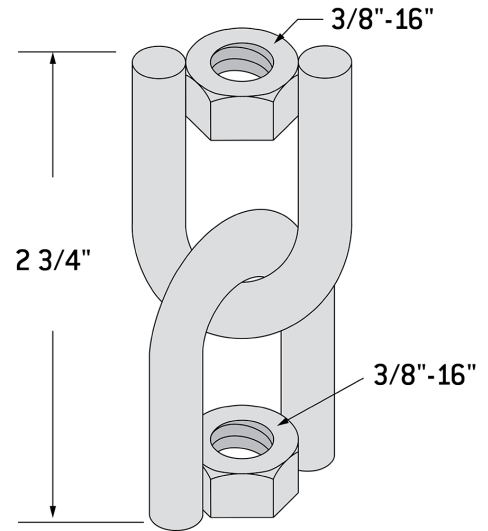
SWFF037EG

SPECIFICATION & FEATURES

DESCRIPTION

SWIVEL FEMALE-FEMALE 3/8" EG

Country of Origin: US



ORDERING INFORMATION

PART # SWFF037EG	STOCK CODE 0305-8782	LENGTH 2.75 Inches	HEIGHT 2.75 Inches	FINISH Electrogalvanized
----------------------------	--------------------------------	------------------------------	------------------------------	------------------------------------

MATERIAL Carbon Steel	ROD SIZE (RS) 3/8"-16	THREAD TYPE UNC	THREAD PITCH/THREAD PER INCH 16
---------------------------------	---------------------------------	---------------------------	---