

CONTRACTOR:	
PROJECT:	DATE:
PREPARED BY:	SERIES: SWMF037EG

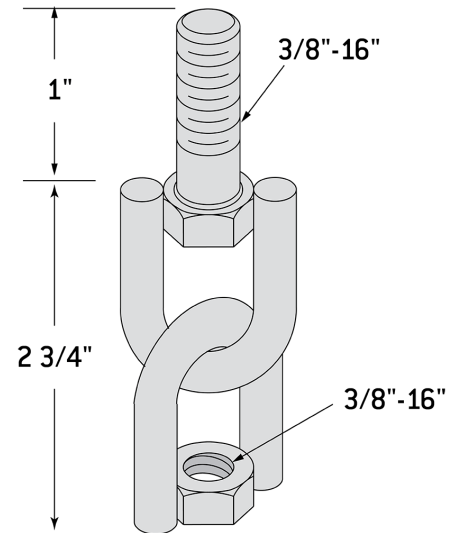
SWMF037EG

SPECIFICATION & FEATURES

DESCRIPTION

SWIVEL MALE-FEMALE 3/8" EG

Country of Origin: US



ORDERING INFORMATION

PART # SWMF037EG	STOCK CODE 0305-8794	LENGTH None	HEIGHT 2.75 Inches	FINISH Electrogalvanized
----------------------------	--------------------------------	-----------------------	------------------------------	------------------------------------

MATERIAL Carbon Steel	ROD SIZE (RS) 3/8"-16	THREAD TYPE UNC	THREAD PITCH/THREAD PER INCH 16
---------------------------------	---------------------------------	---------------------------	---