

CONTRACTOR:	
PROJECT:	DATE:
PREPARED BY:	SERIES: CM-3RB-NM-E

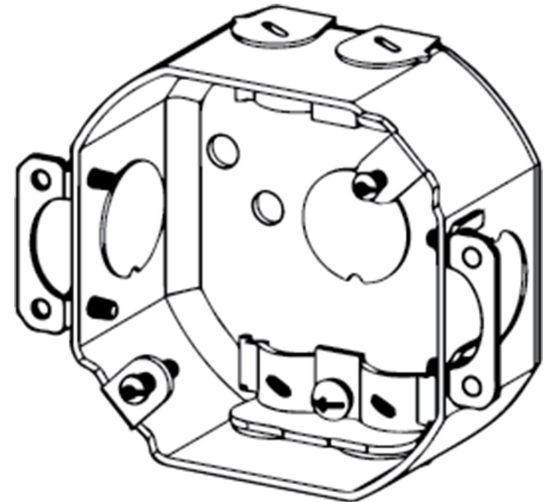
CM-3RB-NM-E

SPECIFICATION & FEATURES

DESCRIPTION

3-1/2" OCT BX DRAWN 1-1/2" DP W/NM CLMPS

Country of Origin: CN



ORDERING INFORMATION

PART # CM-3RB-NM-E	STOCK CODE 0314-0859	LENGTH 3.5 Inches	WIDTH 3.5 Inches	HEIGHT 3.5 Inches
------------------------------	--------------------------------	-----------------------------	----------------------------	-----------------------------

DIAMETER 3.5 Inches	CABLE ENTRY NM	COLOR Galvanized	CUBIC CAPACITY 9	DEPTH 1.5 Inches
-------------------------------	--------------------------	----------------------------	----------------------------	----------------------------

KNOCKOUTS Side : (2) 1/2", (4) Loom , Bottom : (1) 1/2"	MATERIAL 16G Steel
--	------------------------------

APPLICATION AND PERFORMANCE SPECIFICATION INFORMATION IS SUBJECT TO CHANGE WITHOUT NOTIFICATION