

CONTRACTOR:	
PROJECT:	DATE:
PREPARED BY:	SERIES: FSBC37EG

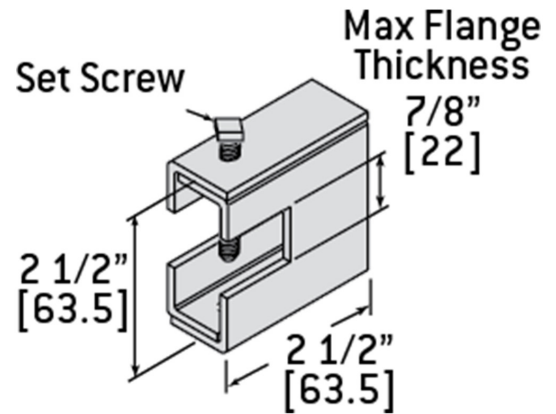
FSBC37EG

SPECIFICATION & FEATURES

DESCRIPTION

STEEL BM CLP 3/8" RD 7/8MAX FLAN THK EG

Country of Origin: US



ORDERING INFORMATION

PART #	STOCK CODE	LENGTH	WIDTH	HEIGHT
FSBC37EG	0315-2112	2.5 Inches	None	2.5 Inches
COLOR	FINISH	MATERIAL	ROD SIZE	
Gray	Electrogalvanized	Steel	3/8"	