

CONTRACTOR:	
PROJECT:	DATE:
PREPARED BY:	SERIES: PS1200EG

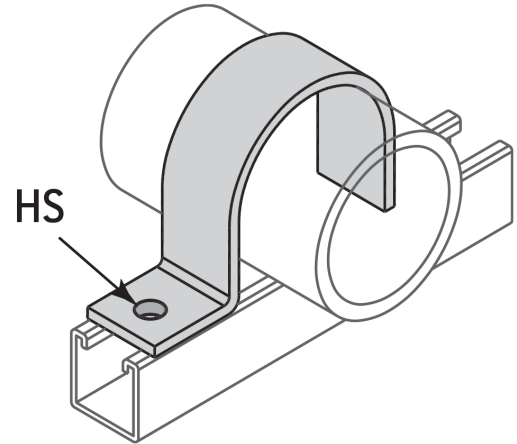
# PS1200EG

## SPECIFICATION & FEATURES

### DESCRIPTION

PIPE STRAP 2 HOLE 12" EG

Country of Origin: US



## ORDERING INFORMATION

**PART #**  
PS1200EG

**STOCK CODE**  
0315-3579

**LENGTH**  
None

**WIDTH**  
None

**HEIGHT**  
None

**TRADE SIZE**  
12 Inches

**COLOR**  
Gray

**FINISH**  
Electrogalvanized

**MATERIAL**  
Carbon Steel

**NUMBER OF HOLES**  
2