

CONTRACTOR:	
PROJECT:	DATE:
PREPARED BY:	SERIES: AF18

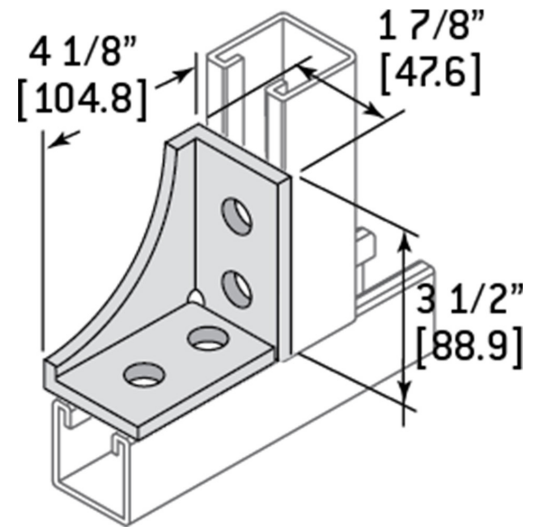
AF18

SPECIFICATION & FEATURES

DESCRIPTION

4 HOLE GUSSET CORNER LEFT ANGLE

Country of Origin: US



ORDERING INFORMATION

PART #	STOCK CODE	LENGTH	WIDTH	HEIGHT
AF18	0315-3588	4.125 Inches	1.875 Inches	3.5 Inches
COLOR	FINISH	MATERIAL	NUMBER OF HOLES	
Gray	Electrogalvanized	Carbon Steel	4	

APPLICATION AND PERFORMANCE SPECIFICATION INFORMATION IS SUBJECT TO CHANGE WITHOUT NOTIFICATION