

CONTRACTOR:	
PROJECT:	DATE:
PREPARED BY:	SERIES: AF19

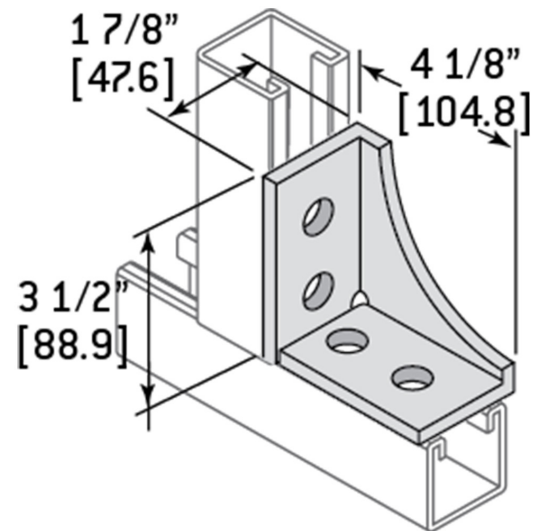
AF19

SPECIFICATION & FEATURES

DESCRIPTION

4 HOLE GUSSET CORNER ANGLE RIGHT

Country of Origin: US



ORDERING INFORMATION

PART # AF19	STOCK CODE 0315-3591	LENGTH 4.125 Inches	WIDTH 1.875 Inches	HEIGHT 3.5 Inches
COLOR Gray	FINISH Electrogalvanized	MATERIAL Carbon Steel	NUMBER OF HOLES 4	

APPLICATION AND PERFORMANCE SPECIFICATION INFORMATION IS SUBJECT TO CHANGE WITHOUT NOTIFICATION