

|              |              |
|--------------|--------------|
| CONTRACTOR:  |              |
| PROJECT:     | DATE:        |
| PREPARED BY: | SERIES: P161 |

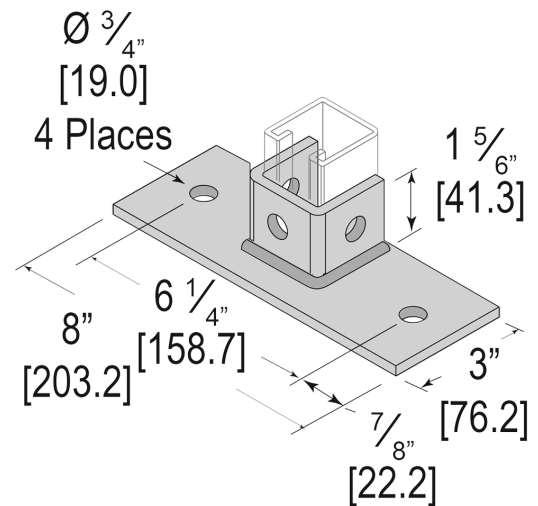
# P161

## SPECIFICATION & FEATURES

### DESCRIPTION

POST BASE SGL CHAN 2 HL FLUSH 1-5/8"

Country of Origin: US



## ORDERING INFORMATION

| PART #            | STOCK CODE      | LENGTH          | WIDTH    | HEIGHT       |
|-------------------|-----------------|-----------------|----------|--------------|
| P161              | 0315-3648       | 8 Inches        | 3 Inches | 1.625 Inches |
| <b>FINISH</b>     | <b>HARDWARE</b> | <b>MATERIAL</b> |          |              |
| ElectroGalvanized | Steel           | Steel           |          |              |

APPLICATION AND PERFORMANCE SPECIFICATION INFORMATION IS SUBJECT TO CHANGE WITHOUT NOTIFICATION