

CONTRACTOR:	
PROJECT:	DATE:
PREPARED BY:	SERIES: P166

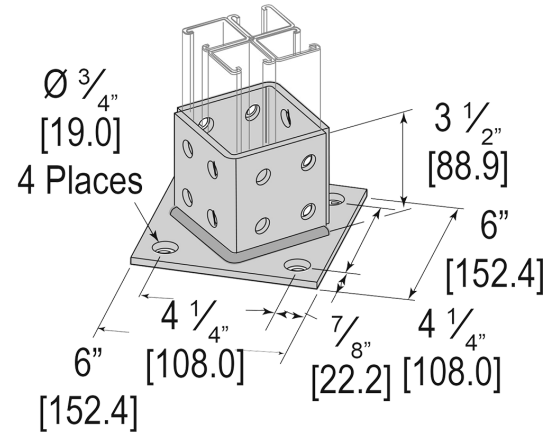
# P166

## SPECIFICATION & FEATURES

### DESCRIPTION

POST BASE 4 CHAN COMBO 4 HL SQ

Country of Origin: US



## ORDERING INFORMATION

PART #	STOCK CODE	LENGTH	WIDTH	HEIGHT
P166	0315-3651	6 Inches	6 Inches	3.5 Inches
<b>FINISH</b>	<b>HARDWARE</b>	<b>MATERIAL</b>		
ElectroGalvanized	Steel	Steel		