

CONTRACTOR:	
PROJECT:	DATE:
PREPARED BY:	SERIES: SCND25137EG

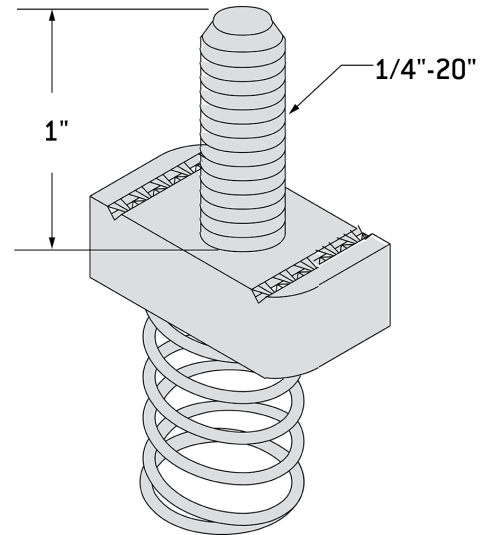
SCND25137EG

SPECIFICATION & FEATURES

DESCRIPTION

1-3/8" STUD NUT REG SPRG 1/4"-20

Country of Origin: US



ORDERING INFORMATION

PART # SCND25137EG	STOCK CODE 0316-3212	LENGTH 1.375 Inches	WIDTH None	HEIGHT None
COLOR Gray	FINISH Electrogalvanized	MATERIAL Steel	MATERIAL OF CONSTRUCTION CARBON STEEL	NUT TYPE Stud Nut Regular Spring
SCREW SIZE 1/4" Inch-20	THREAD SIZE 1/4-20 x 1 3/8	THREAD TYPE UNC		

APPLICATION AND PERFORMANCE SPECIFICATION INFORMATION IS SUBJECT TO CHANGE WITHOUT NOTIFICATION