

CONTRACTOR:	
PROJECT:	DATE:
PREPARED BY:	SERIES: SCND37125EG

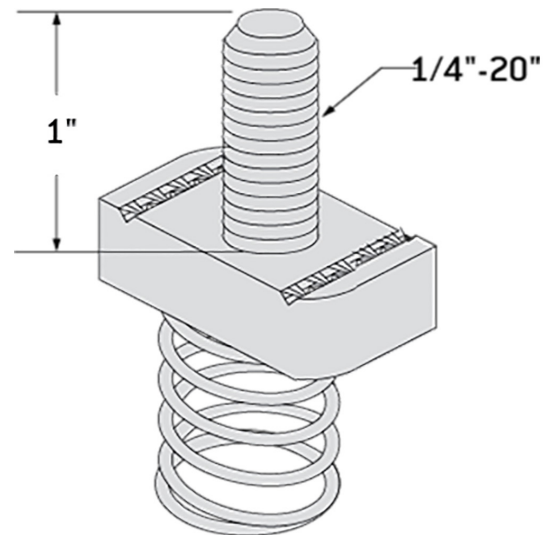
SCND37125EG

SPECIFICATION & FEATURES

DESCRIPTION

1-1/4" STUD NUT REG SPRG 3/8"-16

Country of Origin: US



ORDERING INFORMATION

PART # SCND37125EG	STOCK CODE 0316-3224	LENGTH 1.25 Inches	WIDTH None	HEIGHT None
COLOR Gray	FINISH Electrogalvanized	MATERIAL Steel	MATERIAL OF CONSTRUCTION CARBON STEEL	NUT TYPE Stud Nut
SCREW SIZE 3/8" Inch-16	THREAD SIZE 3/8-16 x 1 1/4	THREAD TYPE UNC		

APPLICATION AND PERFORMANCE SPECIFICATION INFORMATION IS SUBJECT TO CHANGE WITHOUT NOTIFICATION