

CONTRACTOR:	
PROJECT:	DATE:
PREPARED BY:	SERIES: SCND37150EG

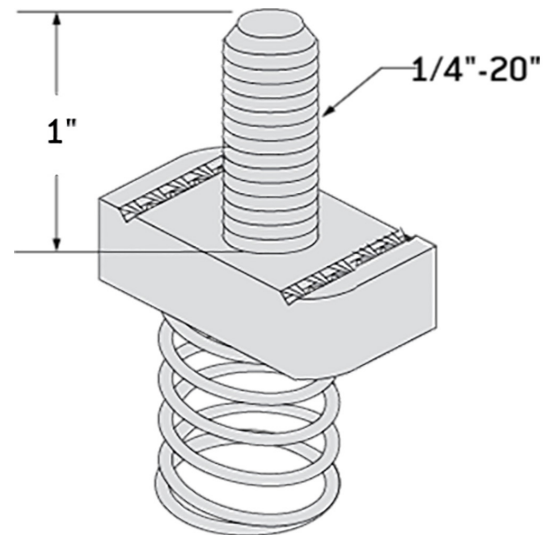
SCND37150EG

SPECIFICATION & FEATURES

DESCRIPTION

1-1/2" STUD NUT REG SPRG 3/8"-16

Country of Origin: CN



ORDERING INFORMATION

PART # SCND37150EG	STOCK CODE 0316-3227	LENGTH 1.5 Inches	WIDTH None	HEIGHT None
COLOR Gray	FINISH Electrogalvanized	MATERIAL Steel	MATERIAL OF CONSTRUCTION CARBON STEEL	NUT TYPE Stud Nut
SCREW SIZE Thread 3/8 Inch-16	THREAD SIZE 3/8-16 x 1 1/2	THREAD TYPE UNC		

APPLICATION AND PERFORMANCE SPECIFICATION INFORMATION IS SUBJECT TO CHANGE WITHOUT NOTIFICATION