

CONTRACTOR:	
PROJECT:	DATE:
PREPARED BY:	SERIES: SCND37162EG

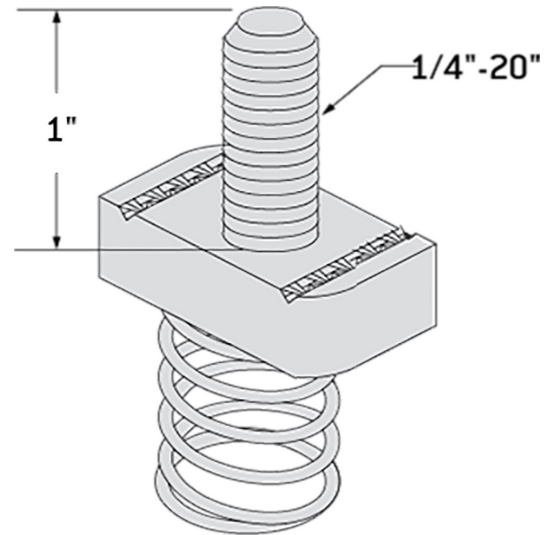
# SCND37162EG

## SPECIFICATION & FEATURES

### DESCRIPTION

1-5/8" STUD NUT REG SPRG 3/8"-16

Country of Origin: CN



## ORDERING INFORMATION

<b>PART #</b> SCND37162EG	<b>STOCK CODE</b> 0316-3230	<b>LENGTH</b> 0.75 Inches	<b>WIDTH</b> 1.375 Inches	<b>HEIGHT</b> None
<b>COLOR</b> Gray	<b>FINISH</b> Electrogalvanized	<b>MATERIAL</b> Steel	<b>MATERIAL OF CONSTRUCTION</b> CARBON STEEL	<b>NUT TYPE</b> Stud Nut
<b>SCREW SIZE</b> Thread 3/8 Inch-16	<b>THREAD SIZE</b> 3/8-16 x 1 5/8	<b>THREAD TYPE</b> UNC		

APPLICATION AND PERFORMANCE SPECIFICATION INFORMATION IS SUBJECT TO CHANGE WITHOUT NOTIFICATION