

|              |                     |
|--------------|---------------------|
| CONTRACTOR:  |                     |
| PROJECT:     | DATE:               |
| PREPARED BY: | SERIES: SCND50100EG |

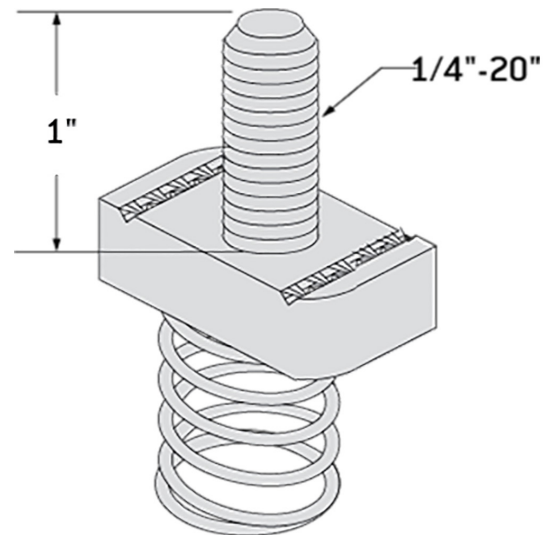
# SCND50100EG

## SPECIFICATION & FEATURES

### DESCRIPTION

1" STUD NUT REG SPRG 1/2"-13

Country of Origin: CN



## ORDERING INFORMATION

|   |                                    |                              |   |                             |
|---|------------------------------------|------------------------------|---|-----------------------------|
| <b>PART #</b><br>SCND50100EG              | <b>STOCK CODE</b><br>0316-3236     | <b>LENGTH</b><br>0.75 Inches | <b>WIDTH</b><br>None                            | <b>HEIGHT</b><br>None       |
| <b>COLOR</b><br>Gray                      | <b>FINISH</b><br>Electrogalvanized | <b>MATERIAL</b><br>Steel     | <b>MATERIAL OF CONSTRUCTION</b><br>CARBON STEEL | <b>NUT TYPE</b><br>Stud Nut |
| <b>SCREW SIZE</b><br>Thread 1/2 Inches-13 | <b>THREAD SIZE</b><br>1/2-13 x 1   | <b>THREAD TYPE</b><br>UNC    |   |                             |

APPLICATION AND PERFORMANCE SPECIFICATION INFORMATION IS SUBJECT TO CHANGE WITHOUT NOTIFICATION