

CONTRACTOR:	
PROJECT:	DATE:
PREPARED BY:	SERIES: SCND50125EG

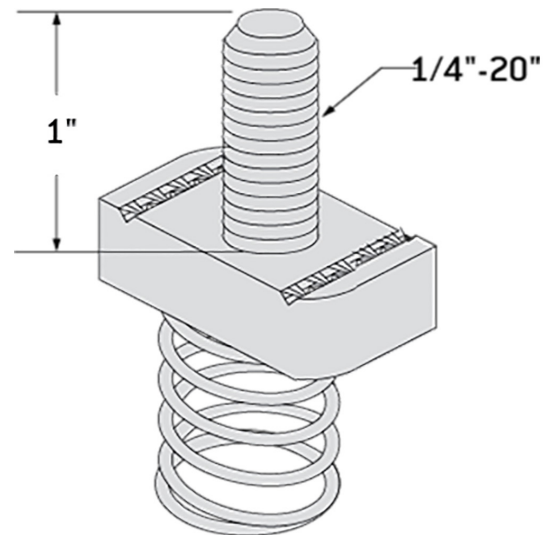
SCND50125EG

SPECIFICATION & FEATURES

DESCRIPTION

1-1/4" STUD NUT REG SPRG 1/2"-13

Country of Origin: CN



ORDERING INFORMATION

PART # SCND50125EG	STOCK CODE 0316-3239	LENGTH 1.25 Inches	WIDTH None	HEIGHT None
COLOR Gray	FINISH Electrogalvanized	MATERIAL Steel	MATERIAL OF CONSTRUCTION CARBON STEEL	NUT TYPE Stud NuT
SCREW SIZE Thread 1/2 Inches-13	THREAD SIZE 1/2-13 x 1 1/4	THREAD TYPE UNC		

APPLICATION AND PERFORMANCE SPECIFICATION INFORMATION IS SUBJECT TO CHANGE WITHOUT NOTIFICATION