

|              |                    |
|--------------|--------------------|
| CONTRACTOR:  |                    |
| PROJECT:     | DATE:              |
| PREPARED BY: | SERIES: SNBC2520EG |

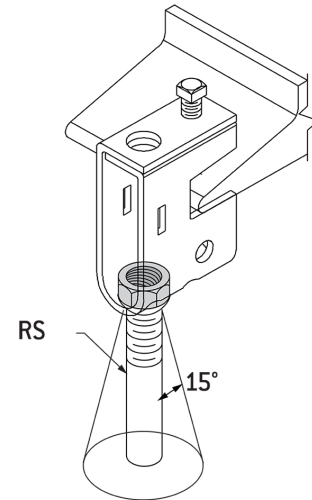
# SNBC2520EG

## SPECIFICATION & FEATURES

### DESCRIPTION

SWIVEL NUT 1/4-20

Country of Origin: US



## ORDERING INFORMATION

|                             |                                |                             |                             |                                    |
|-----------------------------|--------------------------------|-----------------------------|-----------------------------|------------------------------------|
| <b>PART #</b><br>SNBC2520EG | <b>STOCK CODE</b><br>0316-3275 | <b>LENGTH</b><br>0.5 Inches | <b>HEIGHT</b><br>0.5 Inches | <b>FINISH</b><br>Electrogalvanized |
|-----------------------------|--------------------------------|-----------------------------|-----------------------------|------------------------------------|

|                                 |                                |                           |   |
|---------------------------------|--------------------------------|---------------------------|---|
| <b>MATERIAL</b><br>Carbon Steel | <b>ROD SIZE (RS)</b><br>1/4-20 | <b>THREAD TYPE</b><br>UNC | <b>THREAD PITCH/THREAD PER INCH</b><br>20 |
|---------------------------------|--------------------------------|---------------------------|---|