

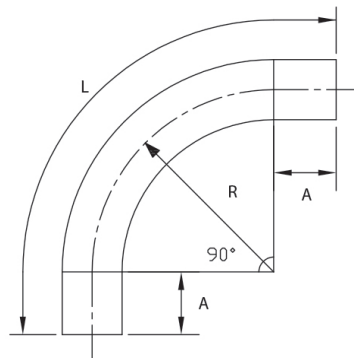
MODEL :		TYPE
PROJECT :		
PREPARED BY :	DATE :	

## SERIES SPECIFICATIONS

3/4" 90 Degree Schedule 40 Pipe Elbow



## LINE DRAWING



## CONSTRUCTION

Housing Material  
PVC

Size  
3/4"

Color  
Gray

Cubic Ft.  
0.66

Schedule  
40

Slip/Bell End  
Slip/Slip

## DIMENSIONS

L (In.)  
?

R (In.)  
4.5"

A (In.)  
1.5"

Degree  
90

APPLICATION AND PERFORMANCE SPECIFICATION INFORMATION IS SUBJECT TO CHANGE WITHOUT NOTIFICATION

MODEL :		TYPE
PROJECT :		
PREPARED BY :	DATE :	

**ORDERING INFORMATION**

Part Number: EL90407

Case Dimensions (in.): 15.6" x 11.6" x 6.3"

Case Quantity: 40 PCS

Case Weight (lbs.): 4.8

APPLICATION AND PERFORMANCE SPECIFICATION INFORMATION IS SUBJECT TO CHANGE WITHOUT NOTIFICATION

