

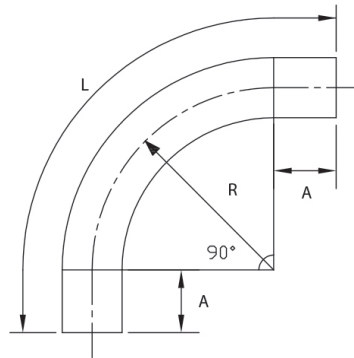
MODEL :		TYPE
PROJECT :		
PREPARED BY :	DATE :	

SERIES SPECIFICATIONS

2" 90 Degree Schedule 40 Pipe Elbow



LINE DRAWING



CONSTRUCTION

Housing Material
PVC

Size
2"

Color
Gray

Cubic Ft.
1.91

Schedule
40

Slip/Bell End
Slip/Slip

DIMENSIONS

L (In.)
?

R (In.)
9.5"

A (In.)
2.0"

Degree
90

APPLICATION AND PERFORMANCE SPECIFICATION INFORMATION IS SUBJECT TO CHANGE WITHOUT NOTIFICATION

MODEL :		TYPE
PROJECT :		
PREPARED BY :	DATE :	

ORDERING INFORMATION

Part Number: EL9042

Case Dimensions (in.): 15.6" x 11.6" x 18.5"

Case Quantity: 15 PCS

Case Weight (lbs.): 12

APPLICATION AND PERFORMANCE SPECIFICATION INFORMATION IS SUBJECT TO CHANGE WITHOUT NOTIFICATION



CENTAUR
ELECTRICAL INSTALLATION

635 NW ENTERPRISE DR. PORT ST. LUCIE, FL 34986 | 772.344.9436 | WWW.CENTAURINSTALLATION.COM