

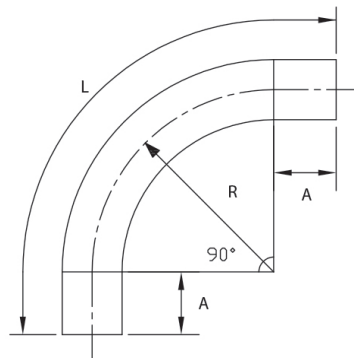
MODEL :		TYPE
PROJECT :		
PREPARED BY :	DATE :	

SERIES SPECIFICATIONS

1/2" 90 Degree Schedule 40 Pipe Elbow



LINE DRAWING



CONSTRUCTION

Housing Material
PVC

Size
1/2"

Color
Gray

Cubic Ft.
0.36

Schedule
40

Slip/Bell End
Slip/Slip

DIMENSIONS

L (In.)
?

R (In.)
4"

A (In.)
1.5"

Degree
90

APPLICATION AND PERFORMANCE SPECIFICATION INFORMATION IS SUBJECT TO CHANGE WITHOUT NOTIFICATION

MODEL :		TYPE
PROJECT :		
PREPARED BY :	DATE :	

ORDERING INFORMATION

Part Number: EL90405

Case Dimensions (in.): 12" x 8" x 6.5"

Case Quantity: 40 PCS

Case Weight (lbs.): 6.5

APPLICATION AND PERFORMANCE SPECIFICATION INFORMATION IS SUBJECT TO CHANGE WITHOUT NOTIFICATION



CENTAUR
ELECTRICAL INSTALLATION

635 NW ENTERPRISE DR. PORT ST. LUCIE, FL 34986 | 772.344.9436 | WWW.CENTAURINSTALLATION.COM