

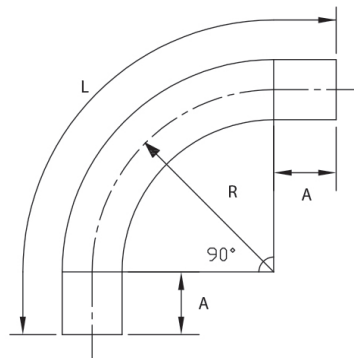
| | | |
|---------------|--------|------|
| MODEL : | | TYPE |
| PROJECT : | | |
| PREPARED BY : | DATE : | |

SERIES SPECIFICATIONS

1 1/2" 90 Degree Schedule 40 Pipe Elbow



LINE DRAWING



CONSTRUCTION

Housing Material
PVC

Size
1 1/2"

Color
Gray

Cubic Ft.
1.37

Schedule
40

Slip/Bell End
Slip/Slip

DIMENSIONS

L (In.)
?

R (In.)
8.25"

A (In.)
2.0"

Degree
90

APPLICATION AND PERFORMANCE SPECIFICATION INFORMATION IS SUBJECT TO CHANGE WITHOUT NOTIFICATION

| | | |
|---------------|--------|------|
| MODEL : | | TYPE |
| PROJECT : | | |
| PREPARED BY : | DATE : | |

ORDERING INFORMATION

Part Number: EL90415

Case Dimensions (in.): 15.6" x 11.6" x 13.2"

Case Quantity: 20 PCS

Case Weight (lbs.): 9.6

APPLICATION AND PERFORMANCE SPECIFICATION INFORMATION IS SUBJECT TO CHANGE WITHOUT NOTIFICATION



CENTAUR
ELECTRICAL INSTALLATION

635 NW ENTERPRISE DR. PORT ST. LUCIE, FL 34986 | 772.344.9436 | WWW.CENTAURINSTALLATION.COM