

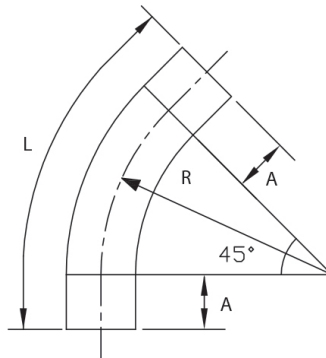
MODEL :		TYPE
PROJECT :		
PREPARED BY :	DATE :	

SERIES SPECIFICATIONS

2" 45 Degree Schedule 40 Pipe Elbow



LINE DRAWING



CONSTRUCTION

Housing Material
PVC

Size
2"

Color
Gray

Cubic Ft.
0.66

Schedule
40

Slip/Bell End
Slip/Slip

DIMENSIONS

L (In.)
11.75"

R (In.)
9.5"

A (In.)
2.25"

Degree
45

APPLICATION AND PERFORMANCE SPECIFICATION INFORMATION IS SUBJECT TO CHANGE WITHOUT NOTIFICATION

MODEL :		TYPE
PROJECT :		
PREPARED BY :	DATE :	

ORDERING INFORMATION

Part Number: EL4542

Case Dimensions (in.): 15.6" x 11.6" x 6.3"

Case Quantity: 15 PCS

Case Weight (lbs.): 8

APPLICATION AND PERFORMANCE SPECIFICATION INFORMATION IS SUBJECT TO CHANGE WITHOUT NOTIFICATION



635 NW ENTERPRISE DR. PORT ST. LUCIE, FL 34986 | 772.344.9436 | WWW.CENTAURINSTALLATION.COM