

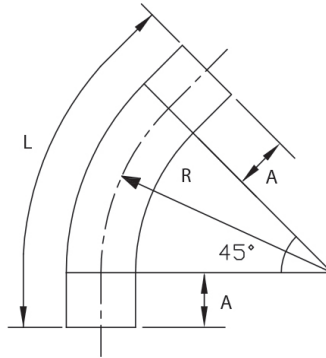
MODEL :		TYPE
PROJECT :		
PREPARED BY :	DATE :	

SERIES SPECIFICATIONS

3/4" 45 Degree Schedule 40 Pipe Elbow



LINE DRAWING



CONSTRUCTION

Housing Material
PVC

Size
3/4"

Color
Gray

Cubic Ft.
0.36

Schedule
40

Slip/Bell End
Slip/Slip

DIMENSIONS

L (In.)
6.75"

R (In.)
4.5"

A (In.)
1.6"

Degree
45

APPLICATION AND PERFORMANCE SPECIFICATION INFORMATION IS SUBJECT TO CHANGE WITHOUT NOTIFICATION

MODEL :		TYPE
PROJECT :		
PREPARED BY :	DATE :	

ORDERING INFORMATION

Part Number: EL45407

Case Dimensions (in.): 12" x 8" x 6.5"

Case Quantity: 50 PCS

Case Weight (lbs.): 5.5

APPLICATION AND PERFORMANCE SPECIFICATION INFORMATION IS SUBJECT TO CHANGE WITHOUT NOTIFICATION

