

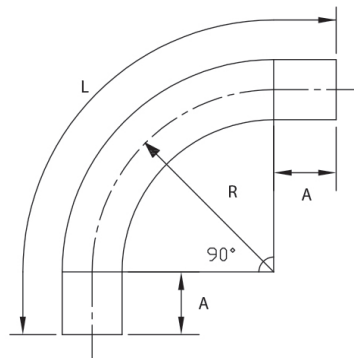
MODEL :		TYPE
PROJECT :		
PREPARED BY :	DATE :	

SERIES SPECIFICATIONS

2 1/2" 90 Degree Schedule 40 Pipe Elbow



LINE DRAWING



CONSTRUCTION

Housing Material
PVC

Size
2 1/2"

Color
Gray

Cubic Ft.
37.43

Schedule
40

Slip/Bell End
Slip/Slip

DIMENSIONS

L (In.)
27.75"

R (In.)
10.5"

A (In.)
3.0"

Degree
90

APPLICATION AND PERFORMANCE SPECIFICATION INFORMATION IS SUBJECT TO CHANGE WITHOUT NOTIFICATION

MODEL :		TYPE
PROJECT :		
PREPARED BY :	DATE :	

ORDERING INFORMATION

Part Number: EL90425

Case Dimensions (in.): 35" x 44" x 52"

Case Quantity: 180 PCS

Case Weight (lbs.): 600

APPLICATION AND PERFORMANCE SPECIFICATION INFORMATION IS SUBJECT TO CHANGE WITHOUT NOTIFICATION



635 NW ENTERPRISE DR. PORT ST. LUCIE, FL 34986 | 772.344.9436 | WWW.CENTAURINSTALLATION.COM