

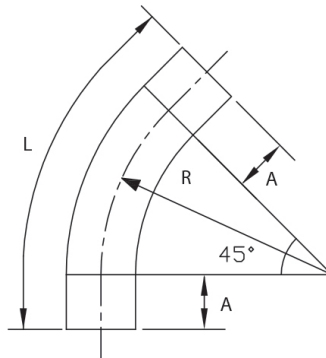
MODEL :		TYPE
PROJECT :		
PREPARED BY :	DATE :	

## SERIES SPECIFICATIONS

3" 45 Degree Schedule 40 Pipe Elbow



## LINE DRAWING



## CONSTRUCTION

Housing Material  
PVC

Size  
3"

Color  
Gray

Cubic Ft.  
4.23

Schedule  
40

Slip/Bell End  
Slip/Slip

## DIMENSIONS

L (In.)  
17.25"

R (In.)  
13"

A (In.)  
3.5"

Degree  
45

APPLICATION AND PERFORMANCE SPECIFICATION INFORMATION IS SUBJECT TO CHANGE WITHOUT NOTIFICATION

MODEL :		TYPE
PROJECT :		
PREPARED BY :	DATE :	

## ORDERING INFORMATION

Part Number: EL4543

Case Dimensions (in.): 23.1" x 15.6" x 20.3"

Case Quantity: 25 PCS

Case Weight (lbs.): 63

APPLICATION AND PERFORMANCE SPECIFICATION INFORMATION IS SUBJECT TO CHANGE WITHOUT NOTIFICATION



635 NW ENTERPRISE DR. PORT ST. LUCIE, FL 34986 | 772.344.9436 | WWW.CENTAURINSTALLATION.COM