

CONTRACTOR:	
PROJECT:	DATE:
PREPARED BY:	SERIES: DS515B

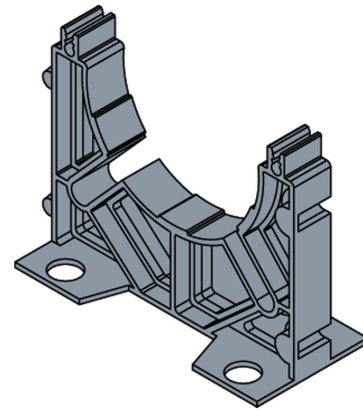
# DS515B

## SPECIFICATION & FEATURES

### DESCRIPTION

5X1-1/2 BASE SPACER

Country of Origin: CA



## ORDERING INFORMATION

<b>PART #</b> DS515B	<b>STOCK CODE</b> 0321-0153	<b>LENGTH</b> 2.84 Inches	<b>WIDTH</b> 7.32 Inches	<b>COLOR</b> Gray
-------------------------	--------------------------------	------------------------------	-----------------------------	----------------------

<b>MATERIAL</b> ABS	<b>TOP END DIAMETER LUMINAIRE SIDE</b> 5 Inches	<b>TOP END DIAMETER POLE SIDE</b> 1-1/2 Inches
------------------------	--	---

APPLICATION AND PERFORMANCE SPECIFICATION INFORMATION IS SUBJECT TO CHANGE WITHOUT NOTIFICATION