

CONTRACTOR:	
PROJECT:	DATE:
PREPARED BY:	SERIES: WI ML-40-1

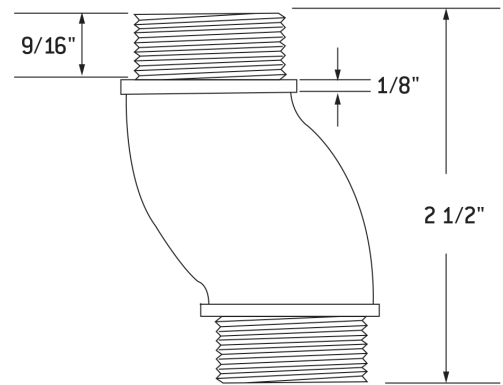
WI ML-40-1

SPECIFICATION & FEATURES

DESCRIPTION

1/2" RIGID OFFSET NIPPLE MALL

Country of Origin: CN



ORDERING INFORMATION

PART # WI ML-40-1	STOCK CODE 0322-6185	LENGTH 2.81 Inches	TRADE SIZE 1/2 in.	COLOR Silver
-----------------------------	--------------------------------	------------------------------	------------------------------	------------------------

CONNECTION 1/2 NPSM Inches	MATERIAL Malleable Iron
--------------------------------------	-----------------------------------