

CONTRACTOR:	
PROJECT:	DATE:
PREPARED BY:	SERIES: WI RCC-50M-IC

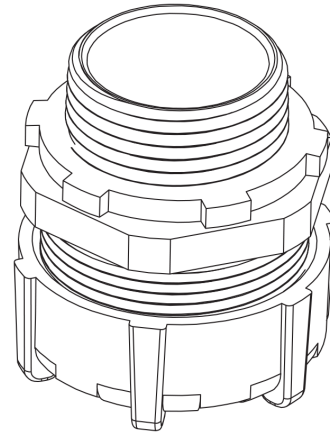
WI RCC-50M-IC

SPECIFICATION & FEATURES

DESCRIPTION

1/2" RIGID COMP CONN - MAL/INS

Country of Origin: CN



ORDERING INFORMATION

PART # WI RCC-50M-IC	STOCK CODE 0322-6224	LENGTH 1.344 Inches	WIDTH 0.906 Inches	HEIGHT None
DIAMETER None	TRADE SIZE 1/2 in.	SIZE 1/2 Inches	COLOR Malleable Iron	CONNECTION Compression
FINISH Malleable Iron	INSULATION Insulated	MATERIAL Malleable		

APPLICATION AND PERFORMANCE SPECIFICATION INFORMATION IS SUBJECT TO CHANGE WITHOUT NOTIFICATION