

CONTRACTOR:	
PROJECT:	DATE:
PREPARED BY:	SERIES: WI RCC-75M-IC

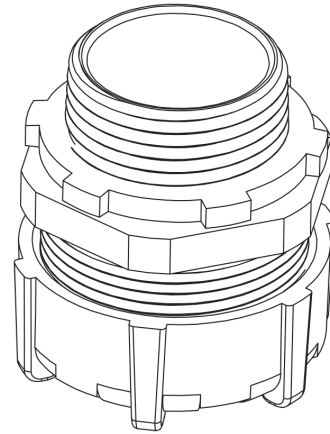
# WI RCC-75M-IC

## SPECIFICATION & FEATURES

### DESCRIPTION

3/4" RIGID COMP CONN - MAL/INS

Country of Origin: CN



## ORDERING INFORMATION

<b>PART #</b> WI RCC-75M-IC	<b>STOCK CODE</b> 0322-6227	<b>LENGTH</b> 1.375 Inches	<b>WIDTH</b> 1.094 Inches	<b>HEIGHT</b> None
<b>DIAMETER</b> None	<b>TRADE SIZE</b> 3/4 in.	<b>SIZE</b> 3/4 Inches	<b>COLOR</b> Malleable Iron	<b>CONNECTION</b> Compression
<b>FINISH</b> Malleable Iron	<b>INSULATION</b> Insulated	<b>MATERIAL</b> Malleable		

APPLICATION AND PERFORMANCE SPECIFICATION INFORMATION IS SUBJECT TO CHANGE WITHOUT NOTIFICATION