

CONTRACTOR:	
PROJECT:	DATE:
PREPARED BY:	SERIES: WI RCC-125M-IC

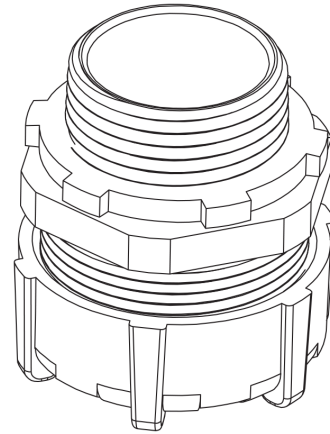
WI RCC-125M-IC

SPECIFICATION & FEATURES

DESCRIPTION

1-1/4" RIGID COMP CONN - MAL/INS

Country of Origin: CN



ORDERING INFORMATION

PART # WI RCC-125M-IC	STOCK CODE 0322-6233	LENGTH None	WIDTH None	HEIGHT None
DIAMETER None	TRADE SIZE 1-1/4 in.	SIZE 1-1/4 Inches	COLOR Malleable Iron	CONNECTION Compression
FINISH Malleable Iron	INSULATION Insulated	MATERIAL Malleable		

APPLICATION AND PERFORMANCE SPECIFICATION INFORMATION IS SUBJECT TO CHANGE WITHOUT NOTIFICATION