

CONTRACTOR:	
PROJECT:	DATE:
PREPARED BY:	SERIES: WI RCC-350M-IC

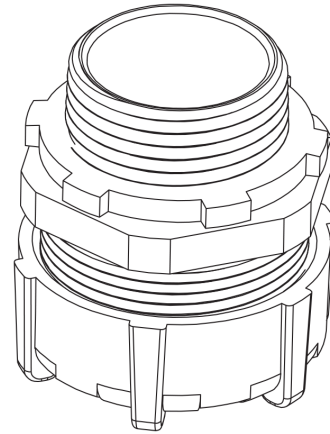
WI RCC-350M-IC

SPECIFICATION & FEATURES

DESCRIPTION

3-1/2" RIGID COMP CONN - MAL/INS

Country of Origin: CN



ORDERING INFORMATION

PART # WI RCC-350M-IC	STOCK CODE 0322-6248	LENGTH None	WIDTH None	HEIGHT 3.187 Inches
DIAMETER 4.75 Inches	TRADE SIZE 3-1/2 in.	SIZE 3-1/2 Inches	COLOR Malleable Iron	CONNECTION Male Threaded x Compression
FINISH Malleable HDG	INSULATION Insulated	MATERIAL Steel		

APPLICATION AND PERFORMANCE SPECIFICATION INFORMATION IS SUBJECT TO CHANGE WITHOUT NOTIFICATION