

| | |
|--------------|------------------------|
| CONTRACTOR: | |
| PROJECT: | DATE: |
| PREPARED BY: | SERIES: WI RCC-400M-IC |

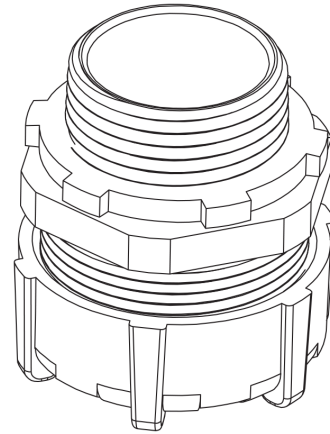
WI RCC-400M-IC

SPECIFICATION & FEATURES

DESCRIPTION

4" RIGID COMP CONN - MAL/INS

Country of Origin: CN



ORDERING INFORMATION

| | | | | |
|---------------------------------|--------------------------------|-----------------------------------|--------------------------------|--|
| PART # WI RCC-400M-IC | STOCK CODE 0322-6251 | LENGTH None | WIDTH None | HEIGHT 3.437 Inches |
| DIAMETER 5.312 Inches | TRADE SIZE 4 in. | SIZE 4 Inches | COLOR Malleable Iron | CONNECTION Male Threaded x Compression |
| FINISH Malleable Iron | INSULATION Insulated | MATERIAL Malleable Iron | | |

APPLICATION AND PERFORMANCE SPECIFICATION INFORMATION IS SUBJECT TO CHANGE WITHOUT NOTIFICATION