

CONTRACTOR:	
PROJECT:	DATE:
PREPARED BY:	SERIES: FH075C150

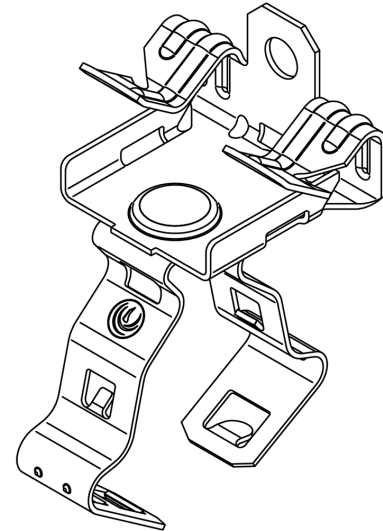
# FH075C150

## SPECIFICATION & FEATURES

### DESCRIPTION

FLNG HMR ON 1/2-3/4 W/CNDT CLP 1-1/2 RIV

Country of Origin: CN



## ORDERING INFORMATION

<b>PART #</b> FH075C150	<b>STOCK CODE</b> 0425-5053	<b>WIDTH</b> 1.5 Inches	<b>SIZE</b> 0.5 - 0.75 Inches; 1.5 Inches	<b>CLIP TYPE</b> Flange with Conduit
<b>COLOR</b> Gray	<b>CONDUIT/CABLE RANGE</b> 1-1/2" EMT, Rigid	<b>FINISH</b> Steel	<b>FLANGE RANGE</b> 9/16 - 3/4 Inches	<b>MATERIAL</b> Spring Steel
<b>MIN.-MAX. FLANGE THICKNESS</b> 9/16" - 3/4"	<b>MOUNTING</b> Flange Clip	<b>TYPE</b> Flange Clip		

APPLICATION AND PERFORMANCE SPECIFICATION INFORMATION IS SUBJECT TO CHANGE WITHOUT NOTIFICATION