

CONTRACTOR:	
PROJECT:	DATE:
PREPARED BY:	SERIES: FHS075

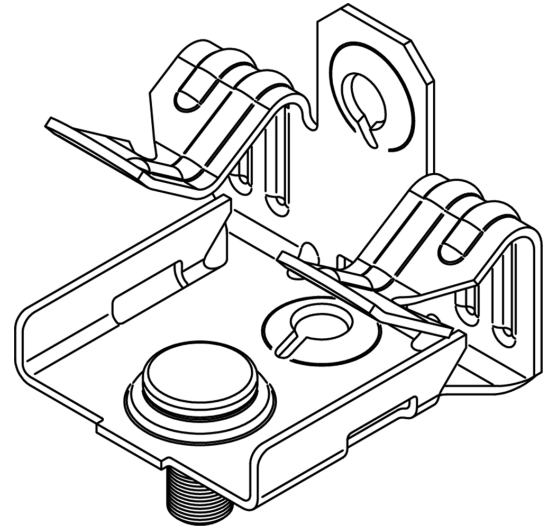
FHS075

SPECIFICATION & FEATURES

DESCRIPTION

FLNG HMR ON 1/2-3/4W/STKD STD1/4-20X9/16

Country of Origin: US



ORDERING INFORMATION

PART # FHS075	STOCK CODE 0425-5077	WIDTH 0.5 Inches	SIZE 0.5 - 0.75 Inches	CLIP TYPE Flange
COLOR Gray	CONDUIT/CABLE RANGE None	FINISH Steel	FLANGE RANGE 9/16 - 3/4 Inches	MATERIAL Spring Steel
MOUNTING Flange	SIZE 0.5 - 0.75 Inches			

APPLICATION AND PERFORMANCE SPECIFICATION INFORMATION IS SUBJECT TO CHANGE WITHOUT NOTIFICATION