

CONTRACTOR:	
PROJECT:	DATE:
PREPARED BY:	SERIES: FHSM075RC125

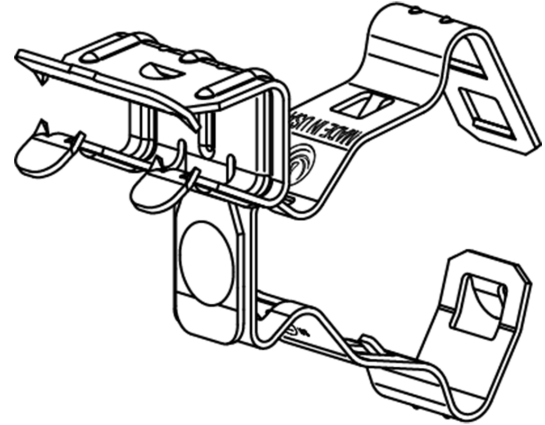
FHSM075RC125

SPECIFICATION & FEATURES

DESCRIPTION

FLNG HMRON SDMNT 1/2-3/4W/CT CLP 1-1/4RI

Country of Origin: CN



ORDERING INFORMATION

PART # FHSM075RC125	STOCK CODE 0425-5107	WIDTH 1.25 Inches	SIZE 0.5 - 0.75;1.25 Inches	CLIP TYPE Flange with Conduit
COLOR Gray	CONDUIT/CABLE RANGE 1-1/4" EMT, Rigid	FINISH Gray	FLANGE RANGE 9/16 - 3/4 Inches	MATERIAL Spring Steel
MOUNTING Flange Clip	SIZE 0.5 - 0.75;1.25 Inches			

APPLICATION AND PERFORMANCE SPECIFICATION INFORMATION IS SUBJECT TO CHANGE WITHOUT NOTIFICATION