

CONTRACTOR:	
PROJECT:	DATE:
PREPARED BY:	SERIES: FH031-RHP025

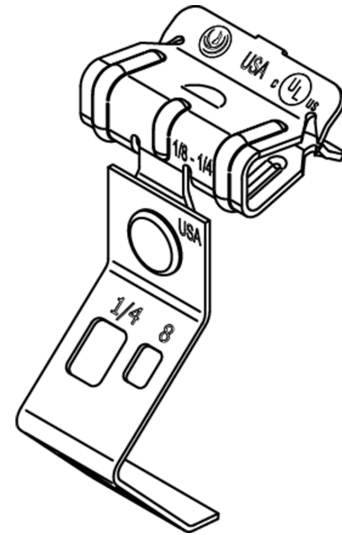
FH031-RHP025

SPECIFICATION & FEATURES

DESCRIPTION

FLNG HMRON1/8-5/16W/RD HANG1/4"#8W RIV

Country of Origin: CN



ORDERING INFORMATION

PART # FH031-RHP025	STOCK CODE 0425-5128	WIDTH 0.125 Inches	SIZE 0.125 - 0.3125 Inches;0.25 Inches	CLIP TYPE Flange
COLOR Gray	CONDUIT/CABLE RANGE None	FINISH Steel	FLANGE RANGE 1/8 - 1/4 Inches	MATERIAL Spring Steel
MIN.-MAX. FLANGE THICKNESS 1/8" - 1/4"	MOUNTING Flange	TYPE Flange Clip		

APPLICATION AND PERFORMANCE SPECIFICATION INFORMATION IS SUBJECT TO CHANGE WITHOUT NOTIFICATION