

CONTRACTOR:	
PROJECT:	DATE:
PREPARED BY:	SERIES: FH050-RHP037

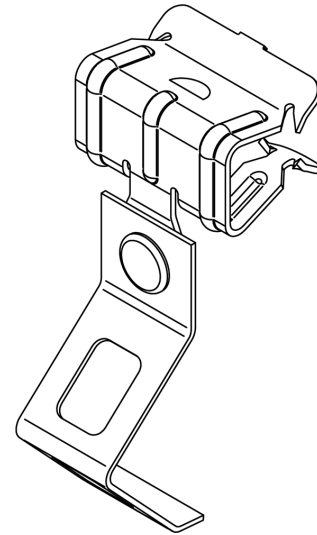
# FH050-RHP037

## SPECIFICATION & FEATURES

### DESCRIPTION

FLNG HMRON 5/16-1/2W/RD HANG3/8RD RIV

Country of Origin: CN



## ORDERING INFORMATION

<b>PART #</b> FH050-RHP037	<b>STOCK CODE</b> 0425-5170	<b>WIDTH</b> 0.375 Inches	<b>SIZE</b> 0.3125 - 0.5 Inches;0.375 Inches	<b>CLIP TYPE</b> Flange
<b>COLOR</b> Gray	<b>CONDUIT/CABLE RANGE</b> None	<b>FINISH</b> Steel	<b>FLANGE RANGE</b> 5/16 - 1/2 Inches	<b>MATERIAL</b> Spring Steel
<b>MIN.-MAX. FLANGE THICKNESS</b> 5/16" - 1/2"	<b>MOUNTING</b> Flange	<b>TYPE</b> Flange Clip		

APPLICATION AND PERFORMANCE SPECIFICATION INFORMATION IS SUBJECT TO CHANGE WITHOUT NOTIFICATION