

CONTRACTOR:	
PROJECT:	DATE:
PREPARED BY:	SERIES: FH050-RHT025

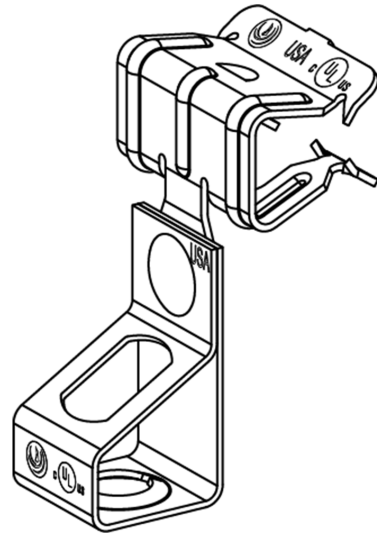
FH050-RHT025

SPECIFICATION & FEATURES

DESCRIPTION

FLNG HMRON 5/16-1/2W/RD HANG1/4"RD TH FR

Country of Origin: US



ORDERING INFORMATION

PART # FH050-RHT025	STOCK CODE 0425-5179	WIDTH 0.25 Inches	SIZE 0.3125 - 0.5 Inches;0.25 Inches	CLIP TYPE Flange
COLOR Gray	CONDUIT/CABLE RANGE None	FINISH Steel	FLANGE RANGE 1/8 - 1/4 Inches	MATERIAL Spring Steel
MIN.-MAX. FLANGE THICKNESS 5/16" - 1/2"	MOUNTING Flange	TYPE Flange Clip		

APPLICATION AND PERFORMANCE SPECIFICATION INFORMATION IS SUBJECT TO CHANGE WITHOUT NOTIFICATION