

CONTRACTOR:	
PROJECT:	DATE:
PREPARED BY:	SERIES: FH050-RHT037

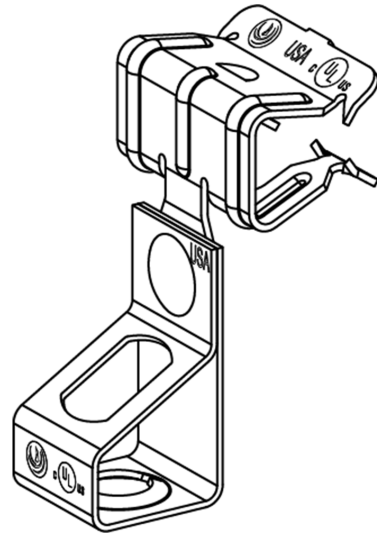
FH050-RHT037

SPECIFICATION & FEATURES

DESCRIPTION

FLNG HMRON 5/16-1/2W/RD HANG3/8" THR FM

Country of Origin: CN



ORDERING INFORMATION

PART # FH050-RHT037	STOCK CODE 0425-5197	WIDTH 0.5 Inches	SIZE 0.3125 - 0.5 Inches	CLIP TYPE Flange
COLOR Gray	CONDUIT/CABLE RANGE None	FINISH Steel	FLANGE RANGE 5/16 - 1/2 Inches	MATERIAL Spring Steel
MIN.-MAX. FLANGE THICKNESS 5/16" - 1/2"	MOUNTING Flange	TYPE Flange Clip		

APPLICATION AND PERFORMANCE SPECIFICATION INFORMATION IS SUBJECT TO CHANGE WITHOUT NOTIFICATION