

CONTRACTOR:	
PROJECT:	DATE:
PREPARED BY:	SERIES: FH075-RHT037

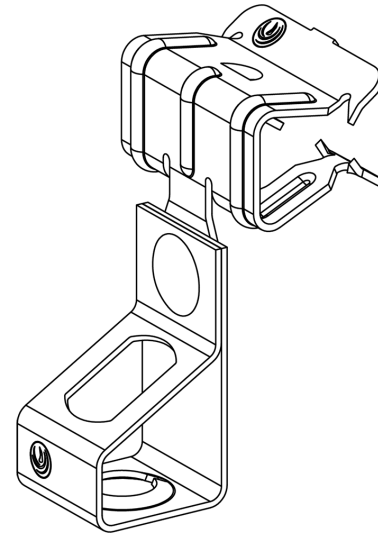
FH075-RHT037

SPECIFICATION & FEATURES

DESCRIPTION

FLNG HMRON 1/2-3/4W/RD HANG3/8"THR FM

Country of Origin: CN



ORDERING INFORMATION

PART # FH075-RHT037	STOCK CODE 0425-5209	WIDTH 0.375 Inches	SIZE 0.5 - 0.75 Inches;0.375 Inches	CLIP TYPE Flange
COLOR Gray	CONDUIT/CABLE RANGE None	FINISH Steel	FLANGE RANGE 5/16 - 1/2 Inches	MATERIAL Spring Steel
MIN.-MAX. FLANGE THICKNESS 9/16" - 3/4"	MOUNTING Flange	TYPE Flange Clip		

APPLICATION AND PERFORMANCE SPECIFICATION INFORMATION IS SUBJECT TO CHANGE WITHOUT NOTIFICATION