

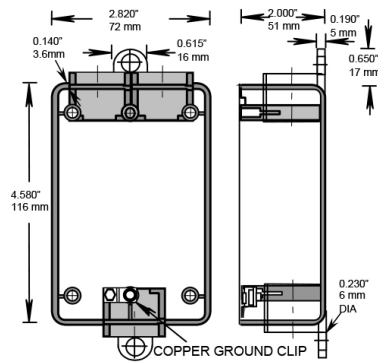
MODEL :		TYPE
PROJECT :		
PREPARED BY :	DATE :	

SERIES SPECIFICATIONS

3/4" Single Gang FSCC



LINE DRAWING



CONSTRUCTION

Housing Material
PVC

Size
3/4"

Color
Gray

Cubic Ft.
0.66

Gang
Single

DIMENSIONS

Length
4.58"

Width
2.82"

Depth
2.0"

Volume (Cubic In.)
16.3

APPLICATION AND PERFORMANCE SPECIFICATION INFORMATION IS SUBJECT TO CHANGE WITHOUT NOTIFICATION

MODEL :		TYPE
PROJECT :		
PREPARED BY :	DATE :	

ORDERING INFORMATION

Part Number: FSCC07

Case Dimensions (in.): 15.6" x 11.6" x 6.3"

Case Quantity: 10 PCS

Case Weight (lbs.): 4

APPLICATION AND PERFORMANCE SPECIFICATION INFORMATION IS SUBJECT TO CHANGE WITHOUT NOTIFICATION



CENTAUR
ELECTRICAL INSTALLATION

635 NW ENTERPRISE DR. PORT ST. LUCIE, FL 34986 | 772.344.9436 | WWW.CENTAURINSTALLATION.COM