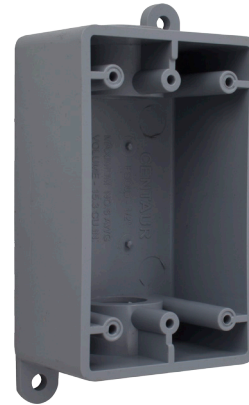


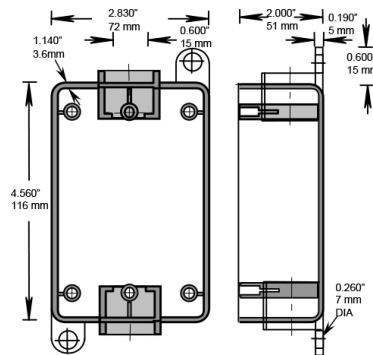
MODEL :		TYPE
PROJECT :		
PREPARED BY :	DATE :	

SERIES SPECIFICATIONS

1/2" Single Gang FSC



LINE DRAWING



CONSTRUCTION

Housing Material
PVC

Size
1/2"

Color
Gray

Cubic Ft.
0.66

Gang
Single

DIMENSIONS

Length
4.56"

Width
2.83"

Depth
2"

Volume (Cubic In.)
15.3

APPLICATION AND PERFORMANCE SPECIFICATION INFORMATION IS SUBJECT TO CHANGE WITHOUT NOTIFICATION

MODEL :		TYPE
PROJECT :		
PREPARED BY :	DATE :	

ORDERING INFORMATION

Part Number: FSC05

Case Dimensions (in.): 15.6" x 11.6" x 6.3"

Case Quantity: 15 PCS

Case Weight (lbs.): 6

APPLICATION AND PERFORMANCE SPECIFICATION INFORMATION IS SUBJECT TO CHANGE WITHOUT NOTIFICATION



635 NW ENTERPRISE DR. PORT ST. LUCIE, FL 34986 | 772.344.9436 | WWW.CENTAURINSTALLATION.COM