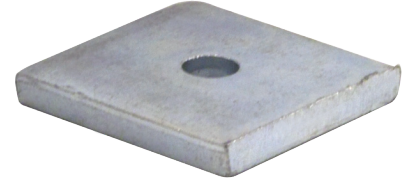


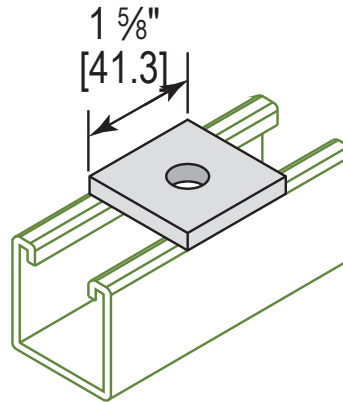
MODEL :		TYPE
PROJECT :		
PREPARED BY :	DATE :	

SERIES SPECIFICATIONS

SQ. WASHER 1/2"



LINE DRAWING



CONSTRUCTION

Finish
Electro-galvanized

DIMENSION

Bolt Size (In.)
1/2"

Bolt Size (mm.)
12

Hole Size (In.)
9/16"

Hole Size (mm.)
14.3

Length (In.)
1-5/8"

Thickness (mm.)
1/4"

APPLICATION AND PERFORMANCE SPECIFICATION INFORMATION IS SUBJECT TO CHANGE WITHOUT NOTIFICATION

MODEL :		TYPE
PROJECT :		
PREPARED BY :	DATE :	

ORDERING INFORMATION

Part Number: WI SQUARE WASHER1/2

Weight (lbs.): 0.15

IMS Code: 0267-2181

APPLICATION AND PERFORMANCE SPECIFICATION INFORMATION IS SUBJECT TO CHANGE WITHOUT NOTIFICATION