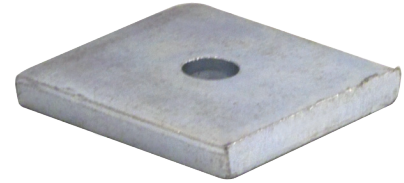


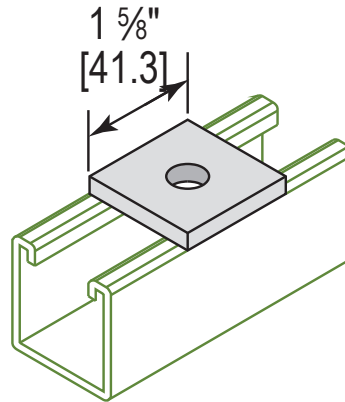
MODEL :		TYPE
PROJECT :		
PREPARED BY :	DATE :	

## SERIES SPECIFICATIONS

SQ. WASHER 3/8"



## LINE DRAWING



## CONSTRUCTION

Finish  
Electro-galvanized

## DIMENSION

Bolt Size (In.)  
3/8"

Bolt Size (mm.)  
8

Hole Size (In.)  
7/16"

Hole Size (mm.)  
11.1

Length (In.)  
1-5/8"

Thickness (mm.)  
1/4"

APPLICATION AND PERFORMANCE SPECIFICATION INFORMATION IS SUBJECT TO CHANGE WITHOUT NOTIFICATION

MODEL :		TYPE
PROJECT :		
PREPARED BY :	DATE :	

**ORDERING INFORMATION**

Part Number: WI SQUARE WASHER3/8

Weight (lbs.): 0.17

IMS Code: 0267-2184

APPLICATION AND PERFORMANCE SPECIFICATION INFORMATION IS SUBJECT TO CHANGE WITHOUT NOTIFICATION