

CONTRACTOR:	
PROJECT:	DATE:
PREPARED BY:	SERIES:

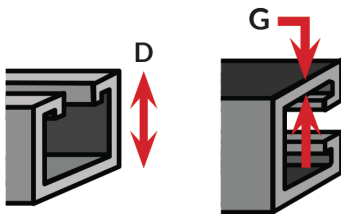
METAL FRAMING STRUT CHANNEL

STRUT FEATURES

Centaur strut channels are manufactured in Port Saint Lucie, Florida, USA utilizing exclusively domestic, made in the USA materials. Along with offering standard 10', 20', and 6' 8" lengths, Centaur offers custom strut channel lengths upon request.

GAUGE AND DEPTH

12 GAUGE 0.102 DEPTH 1-5/8" x 13/16" D	12 GAUGE 0.102 DEPTH 1-5/8" x 1-5/8" D	14 GAUGE 0.077 DEPTH 1-5/8" x 13/16" D	14 GAUGE 0.077 DEPTH 1-5/8" x 1-5/8" D
--	--	--	--



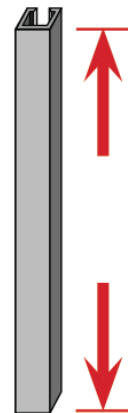
LENGTH

STANDARD 10'
(Shorter runs for easy handling)

STANDARD 20'
(Typical for longer runs)

6'8"
(Typical for commercial joists distance)

CUSTOM CUT-TO-LENGTH
(6" increments)



PERFORATION

OVAL SLOT
(Half Slot)
[9/16" x 1-1/8" x 2" on ctr.]

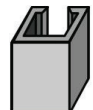


SOLID
(No Perforation)



MATERIAL & FINISH

STEEL
(Carbon steel, structural grade, 33,000 min yield)



PRE-GALVANIZED
(Continuous galvanized) - G90 zinc coating weight for cost effective long-term galvanic and barrier corrosion protection.



APPLICATION AND PERFORMANCE SPECIFICATION INFORMATION IS SUBJECT TO CHANGE WITHOUT NOTIFICATION

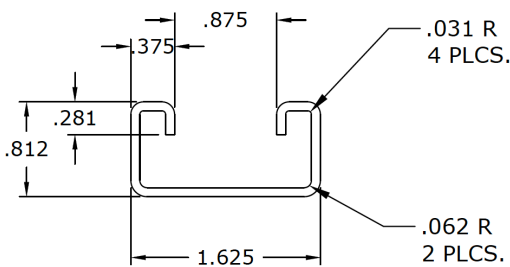
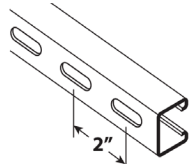
CONTRACTOR:	
PROJECT:	DATE:
PREPARED BY:	SERIES:

METAL FRAMING STRUT CHANNEL

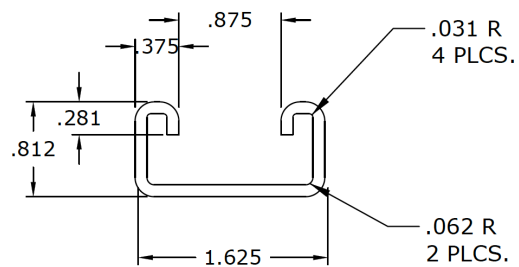
LINE DRAWING

[OVAL-SLOT]

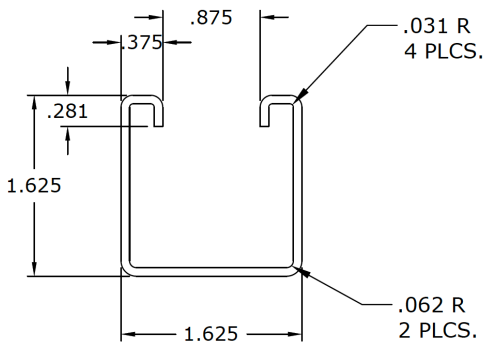
9/16" x 1-1/8" - 2" ON CTR



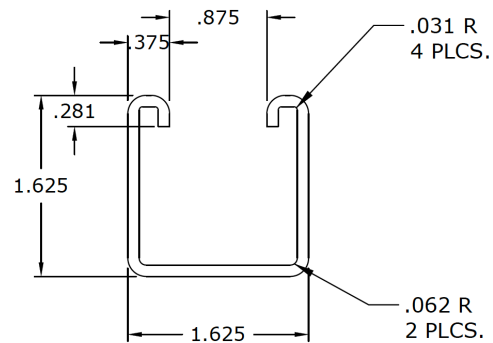
SCG21S120PG
14 ga. (.077")



SCG11S120PG
12 ga. (.102")



SCG22S120PG
14 ga. (.077")



SCG12S120PG
12 ga. (.102")

APPLICATION AND PERFORMANCE SPECIFICATION INFORMATION IS SUBJECT TO CHANGE WITHOUT NOTIFICATION