

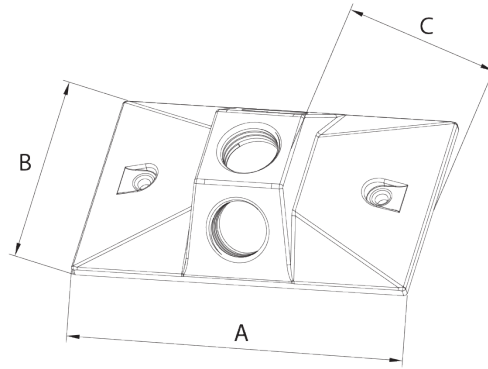
MODEL :		TYPE
PROJECT :		
PREPARED BY :	DATE :	

SERIES SPECIFICATIONS

1 GANG WEATHERPROOF RECTANGULAR LAMP HOLDER
3 X 1/2" HOLE- GRAY



LINE DRAWING



CONSTRUCTION

Material
Aluminum

Finish
Gray

Outlet Holes
3

DIMENSION

A (In.)
4.646"

A (mm)
118mm

B (In.)
2.913"

B (mm)
74mm

C (In.)
1.102"

C (mm)
28mm

APPLICATION AND PERFORMANCE SPECIFICATION INFORMATION IS SUBJECT TO CHANGE WITHOUT NOTIFICATION

MODEL :		TYPE
PROJECT :		
PREPARED BY :		DATE :

DIMENSION

NPSM
1/2-14NPSM

Hole Size
1/2"

Screw Size
6-32UNC X 0.5in

ORDERING INFORMATION

Part Number: WI CT20

IMS Code: 0278-8113

APPLICATION AND PERFORMANCE SPECIFICATION INFORMATION IS SUBJECT TO CHANGE WITHOUT NOTIFICATION