

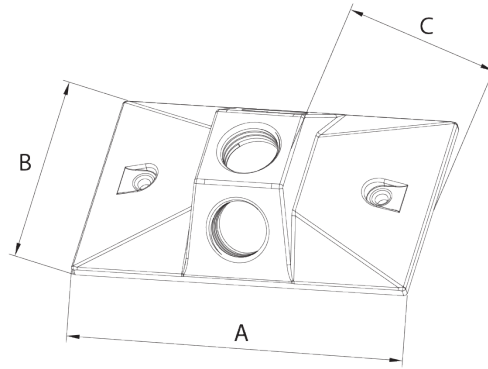
MODEL :		TYPE
PROJECT :		
PREPARED BY :	DATE :	

SERIES SPECIFICATIONS

1 GANG WEATHERPROOF RECTANGULAR LAMP HOLDER
 ER 3 X ½" HOLE- BRONZE



LINE DRAWING



CONSTRUCTION

Material
 Aluminum

Finish
 Bronze

Outlet Holes
 3

DIMENSION

A (In.)
 4.646"

A (mm)
 118mm

B (In.)
 2.913"

B (mm)
 74mm

C (In.)
 1.102"

C (mm)
 28mm

APPLICATION AND PERFORMANCE SPECIFICATION INFORMATION IS SUBJECT TO CHANGE WITHOUT NOTIFICATION

MODEL :		TYPE
PROJECT :		
PREPARED BY :	DATE :	

DIMENSION

NPSM
1/2-14NPSM

Hole Size
1/2"

Screw Size
6-32UNC X 0.5in

ORDERING INFORMATION

Part Number: WI CT20BZ

IMS Code: 0278-8116

APPLICATION AND PERFORMANCE SPECIFICATION INFORMATION IS SUBJECT TO CHANGE WITHOUT NOTIFICATION