

MODEL :	TYPE
PROJECT :	
PREPARED BY :	DATE :

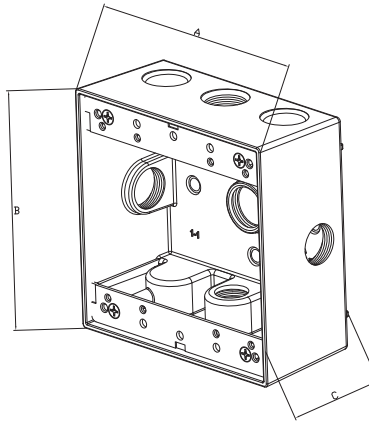
SERIES SPECIFICATIONS

WI TGB SERIES

2 GANG WEATHERPROOF BOX 2-3/16" DEEP 5 X 1/2" HOLE
(ALL SIDES) GRAY



LINE DRAWING



CONSTRUCTION

Material

Aluminum

Gang

2

Ground Screw

Included

Finish

Gray

No. of Outlet Holes

7

Screw Size

6-32UNC X 0.37in or 10-24UNC X 0.24in

DIMENSION

A (In.)

4.567

A (mm)

116.0018

B (In.)

4.567

B (mm)

116.0018

APPLICATION AND PERFORMANCE SPECIFICATION INFORMATION IS SUBJECT TO CHANGE WITHOUT NOTIFICATION

MODEL :	TYPE	
PROJECT :		
PREPARED BY :	DATE :	

DIMENSION (CONT.)

C (In.) 3.287	C (mm) 83.4898
D (In.) 1.811	D (mm) 45.9994
E (In.) 2.264	E (mm) 57.5056
F (In.) 0.094	F (mm) 2.3876
G (in.) 0.606	G (mm) 15.3924
NPT Gauge 1/2-14NPT	Volume (Cu. In.) 30.5 CU. IN.

LISTINGS/RATINGS

Listings

UL Listed

Location Ratings

Suitable for Wet Locations

ORDERING INFORMATION

Part Number: WI TGB50/5X

IMS Code: 0278-8446

Master Carton Qty: 15 PCS

Pallet Qty: 1215 PCS

Master Carton Dimensions : 14x4.8x11.4 In.

Pallet Dimensions : 44.09x44.09x39.37 In.

APPLICATION AND PERFORMANCE SPECIFICATION INFORMATION IS SUBJECT TO CHANGE WITHOUT NOTIFICATION