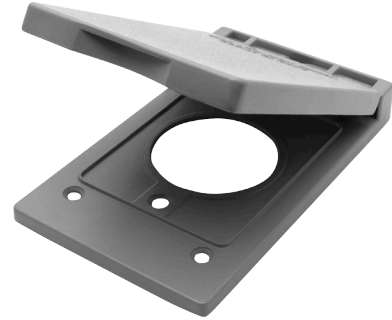


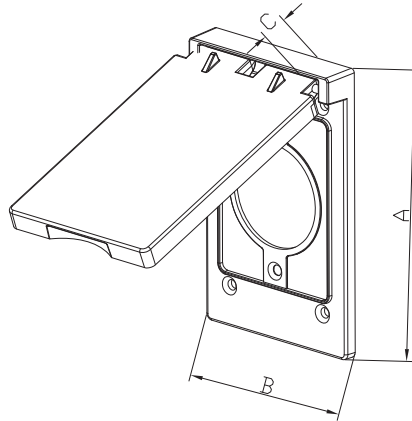
MODEL :		TYPE
PROJECT :		
PREPARED BY :	DATE :	

## SERIES SPECIFICATIONS

1 Gang Weatherproof Twist Lock Cover



## LINE DRAWING



## CONSTRUCTION

Material  
Die Cast Zinc

Gang  
1

Type  
Twist Lock Cover

Finish  
Gray

Screw Size  
(2) 6-32UNC X 0.5 in

Amperage  
30A

## DIMENSION

A (In.)  
4.587"

A (mm)  
116.5mm

B (In.)  
2.835

B (mm)  
72mm

APPLICATION AND PERFORMANCE SPECIFICATION INFORMATION IS SUBJECT TO CHANGE WITHOUT NOTIFICATION

MODEL :	TYPE	
PROJECT :		
PREPARED BY :	DATE :	

## DIMENSION

C (In.)  
0.571"

C (mm)  
14.5mm

## ORDERING INFORMATION

Part Number: WI PO17

IMS Code: 0278-9538

APPLICATION AND PERFORMANCE SPECIFICATION INFORMATION IS SUBJECT TO CHANGE WITHOUT NOTIFICATION