

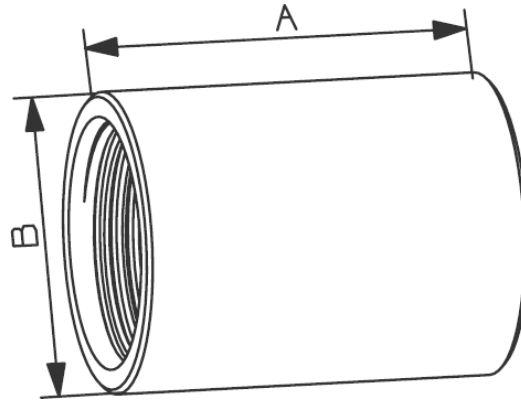
MODEL :		TYPE
PROJECT :		
PREPARED BY :	DATE :	

## SERIES SPECIFICATIONS

WI STEEL COUPLING 1"



## LINE DRAWING



## CONSTRUCTION

Material  
Cast Steel

Coupling  
Steel Coupling

Finish  
Zinc Electro-Plated

Trade Size  
1"

## DIMENSION

A (In.)  
1.968

B (In.)  
1.53

APPLICATION AND PERFORMANCE SPECIFICATION INFORMATION IS SUBJECT TO CHANGE WITHOUT NOTIFICATION

MODEL :		TYPE
PROJECT :		
PREPARED BY :		DATE :

## ORDERING INFORMATION

Part Number: WI RC100

IMS Code: 0281-1960

APPLICATION AND PERFORMANCE SPECIFICATION INFORMATION IS SUBJECT TO CHANGE WITHOUT NOTIFICATION



404 NW ENTERPRISE DR. PORT ST. LUCIE, FL 34986 | 772.408.5213 | WWW.CENTAURINSTALLATION.COM