

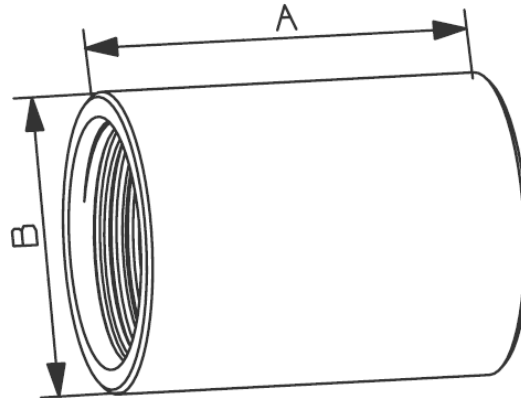
MODEL :		TYPE
PROJECT :		
PREPARED BY :	DATE :	

## SERIES SPECIFICATIONS

WI STEEL COUPLING 2"



## LINE DRAWING



## CONSTRUCTION

Material  
Cast Steel

Coupling  
Steel Coupling

Finish  
Zinc Electro-Plated

Trade Size  
2"

## DIMENSION

A (In.)  
2.125

B (In.)  
2.65

APPLICATION AND PERFORMANCE SPECIFICATION INFORMATION IS SUBJECT TO CHANGE WITHOUT NOTIFICATION

MODEL :		TYPE
PROJECT :		
PREPARED BY :	DATE :	

ORDERING INFORMATION

Part Number: WI RC200

IMS Code: 0281-1969

APPLICATION AND PERFORMANCE SPECIFICATION INFORMATION IS SUBJECT TO CHANGE WITHOUT NOTIFICATION



404 NW ENTERPRISE DR. PORT ST. LUCIE, FL 34986 | 772.408.5213 | WWW.CENTAURINSTALLATION.COM